

MTW - TREKKING POWER HT (MULTITRACTION WHEELCHAIR)

Public price starting from **£5,450.00**

M.D.R : **2544586**

Basic UDI-DI: **805378246MTWTRP13785**

Order Date
(only if fitting to Triride wheelchair)

Quote
(if fitting to non-Triride wheelchair)

ENTER A NEW MOBILITY

Dealer

Order reference

MODEL FEATURES

- **High Torque 110Nm (55Nm x 2)**
- Triride Software
- Programmable and customisable electronics
- Traction selector: Front (I), Rear (II), Integral 3x3 (III) with power split
- Rear LED light with stop function flashing when braking
- Weight from 10.6kg
- Anti-tip arm
- Wheel diameter and tyre of your choice
- Range: up to 50 km
- Maximum power: 1030W
- Battery: Lithium-ion 48V
- Dismountable Kit



Kit with self-supporting frame, structurally independent from the wheelchair frame. Combined with Triride motors, it allows you to have a high-performance three-wheel electric vehicle. Drive Units also individually selectable front only, rear only or all three at the same time with a power splitter between front and rear. The Trekking Power kit attaches and removes in a few seconds, returning the wheelchair to its original state without any structural changes.

USER'S PERSONAL DATA

Name: _____ Age (if under 16): _____
 Tel: _____ E-mail: _____
 Weight: _____ Pathology: _____

DELIVERY ADDRESS

Delivery to : _____
 Address: _____
 Postcode: _____ Town: _____

TREKKING POWER CONFIGURATION

	Free adaptation for Trekking Power connection including traction selection switch (I, II, III)	
	first Triride s/n to match	no cost
T0013	Adaptation for Trekking Power connection including traction selection switch (I, II, III)	
	second Triride s/n to match	£185.00
BS-C-079	Display Colour with USB with customisable CU programming	£155.00
	customisation: _____ (21 characters)	

BATTERY PACK WITH DOUBLE CONTROL UNIT

MT-LH-108	Battery 48V (720 Wh)	£0.00
MT-LH-109	Battery 48V (1030 Wh)	£525.00

NOTES

REAR WHEELS*

	Without handrim standard	T0100 With handrim	£173.00
T0141	Wheel with 20" x 2,125 city tyre		standard
T0038	Wheel with 20" x 2,6 cross tyre		£62.00
T0039	Wheel with 20" x 3 city tyre		£62.00
T0041	Wheel with 20" x 4 cross FAT tyre		£91.00
T0040	Wheel with 20" x 4 city FAT tyre		£91.00
T0142	Wheel with 24" x 1 city tyre		standard
T0036	Wheel with 24" x 1.75 city tyre		standard
T0037	Wheel with 24" x 1.75 cross tyre		standard
T0140	Wheel with 24" x 1.95 cross tyre		£76.00
T0143	Wheel with 24" x 2.1 city tyre		standard

*Depending on availability

ACCESSORIES / OPTIONAL

MT-LH-110	Bluetooth connection kit for MTW	£110.00
MT-LH-111	Joystick complete with standard support, programmable	£255.00
MT-LH-112	Adjustable and swiveling support for joystick	£113.00
MT-LH-114	Preparation for tow hook (for carry trailer)	£68.00
T0156	Second brake, scissor lock, aluminium - pair	£90.00

Additional fitting costs may apply based on the wheelchair model

Fitting to non-Triride wheelchair

Quote on request

Please **complete page 7** and send it with wheelchair images to orders@triride.uk

In addition to the standard configurations described, the device is designed to be customised depending on the needs of the individual user.

N.B. For Particular adaptations, modifications or dedicated work on the wheelchair, a surcharge may be applied which will be communicated in a quote after the compatibility is confirmed.

The Company reserves the exclusive right to bring changes, without notice, if it deems it useful for the improvement of the product.

MTW + WHEELCHAIR

(**MTW** = MULTITRACTION WHEELCHAIR)

Public price starting from **£2,950.00**

ENTER A NEW MOBILITY

M.D.R : **2544579**

Basic UDI-DI: **805378246FRWH1207F**

Order Date

Quote

Dealer

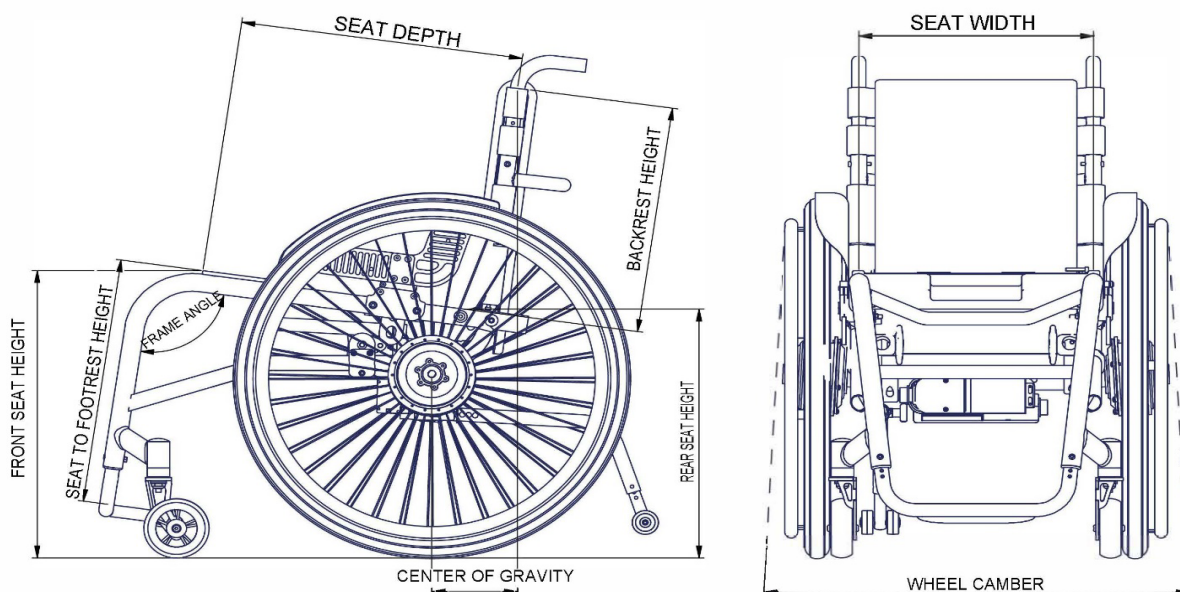
Order reference



FRAME FEATURES

- Aluminium or stainless steel frame
- Ultra-light, compact custom frame, with a quadrilateral structure for maximum stiffness
- Semi-integrated front attachments with no front bulk
- Designed for different wheel diameters (from 16 to 26 inches)
- Variable backrest inclination
- Seat in double reinforced washable nylon
- Fabrics/nylon for backrest and seat in hypoallergenic and breathable material
- Kit can be dismantled for easy transport
- Anti-tip wheel

** Postural cushions and backrests not supplied*



Seat width cm	34	36	38	40	42	44	46
Seat depth cm			38	40	42	44	46
Backrest height	20 - 48 cm, 1 cm increments						
Seat to footrest height	35 - 49 cm, 1 cm increments						
Front seat height from ground	40 - 52 cm, 1 cm increments						
Rear seat height from ground	40 - 50 cm, 1 cm increments						
COG Center of Gravity	3 - 10 cm, 1 cm increments						
Front frame angle				75°	80°	85°	90°
Frame taper (V-taper)					0°	3°	5°
Wheel camber 0° - 3°						0°	3°
Caster size				3"	4"	5"	6"
Reinforced custom frame for users over 125kg (recommended with joystick)							on request

Frame colour

BS-O-217-N-MTW	Black RAL 9005	standard
BS-O-217-R-MTW	Red RAL 3020	£165.00
BS-O-217-W-MTW	White RAL 9003	£165.00
BS-O-217-G-MTW	Yellow RAL 1003	£165.00
BS-O-217-A-MTW	Orange RAL 2004	£165.00
BS-O-217-B-MTW	Blue RAL 5017	£165.00
BS-O-217-Z-MTW	Aluminium Grey RAL 9007	£165.00
BS-O-217-MTW	RAL on request	£255.00

ACCESSORIES / OPTIONAL

MT-LH-101	Quick-release casters	£163.00
MT-LH-105	Armrests - pair	£182.00
MT-LH-104	Foldable push handles	£89.00
MT-LH-103	Carbon side guards, adjustable and removable	£290.00
MT-LH-106	Seat pouch (under seat)	£41.00
MT-LH-102	Rear axle adjustable for manual wheels (without wheels)	£592.00
	Camber choice:	0° 3°

NOTES

FOR THE INSTALLATION OF THE MOTORISED REAR AXLE MTW TO NON-TRIRIDE WHEELCHAIRS

Fill in the form with the required information, which is essential for the tailor-made realisation of the motorised rear axle extension compatible with your wheelchair. For greater accuracy, the use of a gauge and a meter is recommended. For installation, the wheelchair should be sent to the Triride headquarters or an authorized center.

WHEELCHAIR FEATURES

Brand

Model

Seat width

Seat depth

Caster size

User weight

Rear wheel size

Backrest H frame tube diameter

IS THE WHEELCHAIR IS EQUIPPED WITH:

Armrests

Anti-tip

Sideguards

fixed

removable

Extra accessories

SHAPE AND DIAMETER OF THE DOWN TUBES

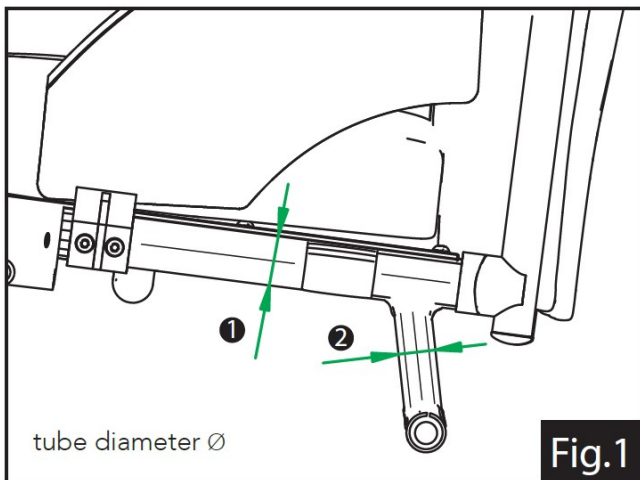
Round tube

NOT round tube

Diameter or section of tube ① (Fig. 1)

Diameter or section of vertical tube ② (Fig. 1)

Diameter or section of camber tube ③ (Fig. 2)



Important - Attach 4 photographs, of the rear and side profile of the wheelchair both with and without wheel.

CAMBER BAR WIDTH

Provide the external width of the camber bar (Fig. 2)

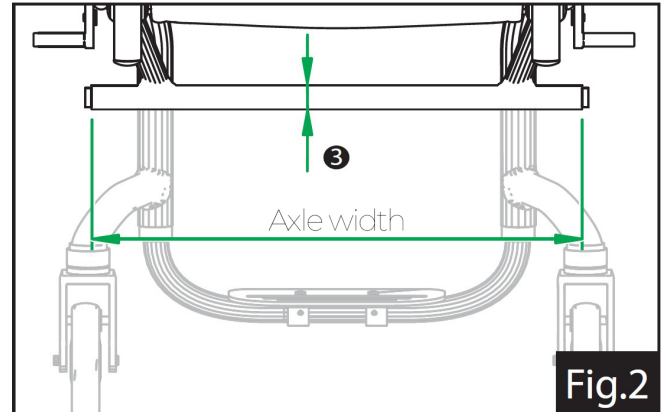


Fig.2

REAR WHEEL CAMBER

Indicate the current degree of wheel camber (Fig.3)

MTW CAMBER CHOICE

Depending on the compatibility of the wheelchair, a camber between 0° and 3° will be applied (Fig.3)

Camber choice:

0° (no increase in lateral width)

3° If the wheelchair already has a 3° camber the increase in overall dimensions is equal to 0 cm.

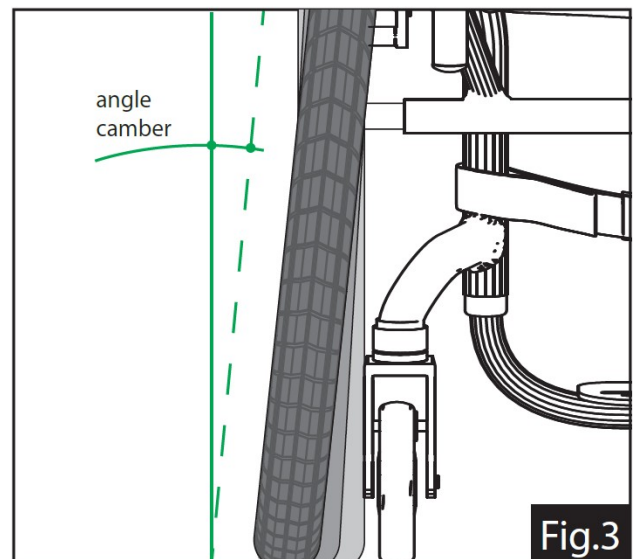


Fig.3